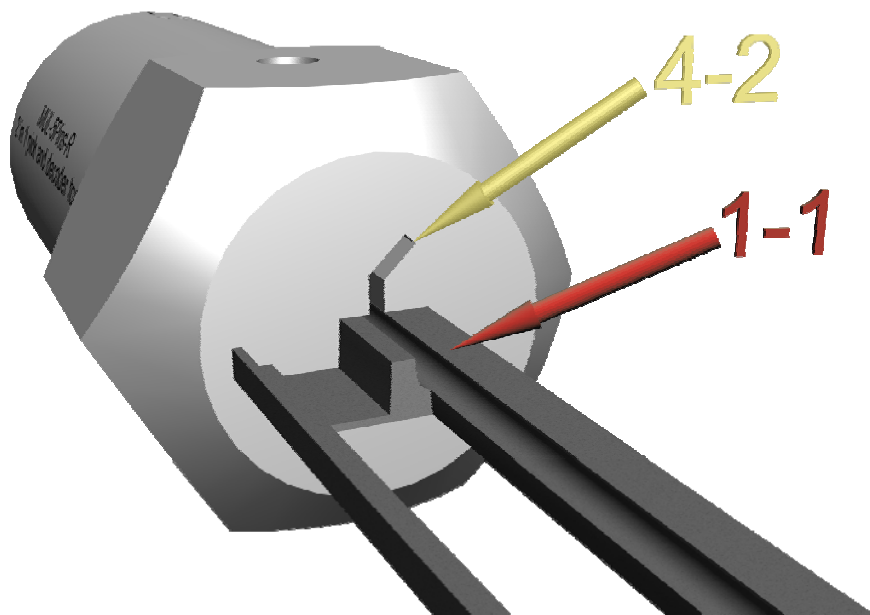
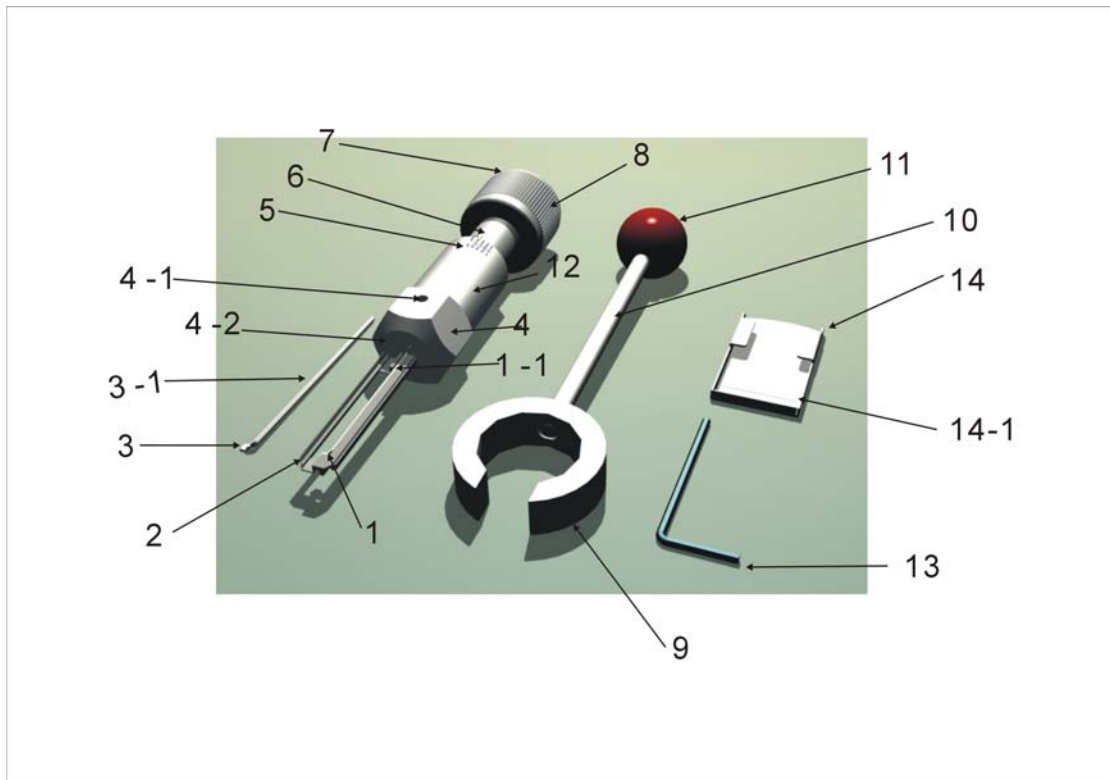
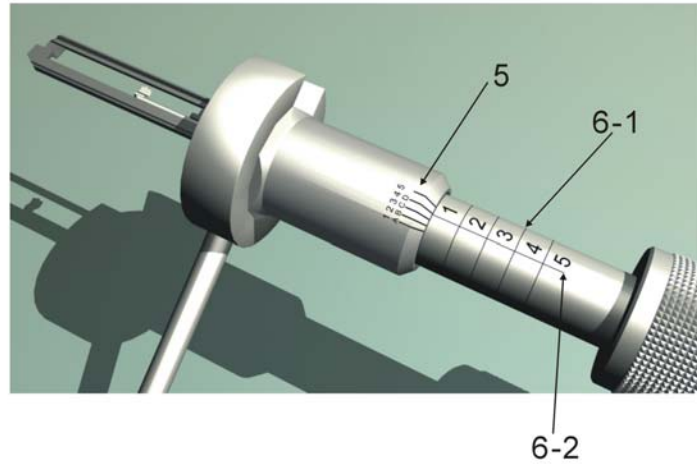


新珠中珠工具套件說明

Accessories Directions of 2 in 1 pick and decoder tool





1. 工具坯子(1), 坯子前端(1-1)圓孔包著針柱, 開鎖時撥針不會左右擺動。
Pick billet (1), the round hole of front end of billet (1-1) pack the pick pin, when open the lock, the pin can not move.
2. 深度(2)是D號珠的深度, 坯子有5個D. 如有D珠自動解除。
Depth (2): it is the depth of Pin D, if there are 5 Pin D positions, when you insert the pick tool, Pin D will remove automatically.
3. 撥針: 針頭“凸”形(3), 針柱(3-1)
Pick Pin: the convex pinhead (3), pin body (3-1)
4. 六角螺絲(4)可作加力把手開鎖, 換撥針時要從出針處(4-2)拉出撥針, 調教撥針時要從圓孔(4-1)位置用螺絲鎖緊撥針。
Hexagonal head screw (4) can be used for handle of pretesting force, if you want to change the pick pin; please take out it from (4-2).when you regulate the pick pin, you should use the screw to fix the pick pin from the round hole (4-1).
5. 珠子深度刻度(5) 如: W珠: A、B、C、D, V珠: 1、2、3、4、5, 外套正反面都有刻度, 這樣同一套工具就可以用在 Rim-Cylinder 與 Pro-Cylinder 鎖。
The scale of pin depth(5), for example: Pin W: A、B、C、D, Pin V:1、2、3、4、5. There are scales on the both side of the external body, so one set of tool can open Rim-Cylinder lock and Pro-Cylinder lock.
6. 工具內柱(6)圓形上有珠與珠之間的距離刻度(6-1) 如: 1、2、3、4、5。開鎖時內柱要轉到(6-2)線對著(5)的刻度“5”上撥針才順利進出! 旋鈕(7), 旋鈕上的螺絲(8)鎖定工具內柱(6)
Internal body (6): there are some distanced scales between pin and pin. For example: 1、2、3、4、5.when you open the lock, please turn the internal body and make sure that the line(6-2)point the scale"5" on the external body. Only in this way can the pin pass in and out successfully. Knob (7) and screw (8) lock the internal body.

7. 可調角度把手(9), 把手內有 9 個內角, 可調不同角度。柱子(10)可加長, 加上紅色塑膠珠(11)更方便使用。

Adjustable angle handle (9), there are nine interior angles, it can adjust different angles. The lengthening column (10) and red plastic ball (11) make very convenient to use.

8. 工具外套圓形(12)印有工具型號, 如: MUL-5Pins-R, MUL-5Pins-L

External body (12): mark the model on it, such as: MUL-5Pins-R, MUL-5Pins-L

9. 六角匙(13)。

Allen key (13).

10. 調教撥針尺規(14), 尺規上有一支刻度線(14-1)到邊上的距離是 5.3mm, 即是第一位珠子的位置。

The ruler of regulating the pick pin (14), there is a scale mark (14-1) on the ruler.

The distance between scale mark and edge is 5.3mm; it is the position of the first pin.